



Item # _____

Job _____

Metro C5 3 Series Insulation Armour™ Heated Holding and Proofing Cabinets

- **Insulation Armour™:** Patented insulation technology retains heat, saves energy, and provides a cool-to-touch exterior. Durable polymer construction is dent, impact, and stain resistant. Molded-in hand holds create vertical handles for mobile applications.
- **Colors:** Insulation Armour is available in Red, Blue, or Gray standard and in other colors on a promotional basis or upon request.
- **Control:** Three modules are available: Holding, Moisture, and Combination Proof and Hold. All feature an easy-to-read digital thermometer, recessed control dials, a master on/off switch, and power indicator lights. All are removable without tools for easy cleaning, and allow for future upgrades without replacing entire cabinet body.
- **Performance:** All modules provide fast heat-up and recovery through a thermostatically controlled, forced convection system.
- **Sizes:** C5 3 Series cabinets are available in Full Height (71", 1803mm), ¾ Height (59", 1499mm), and ½ Height (44", 1118mm) sizes.
- **Doors:** Solid insulated aluminum or clear polycarbonate doors are available. Full Height cabinets can be configured with full length or dutch-style doors. Clear doors provide visibility of the contents of the cabinet without the heat loss associated with opening the door.
- **Capacity:** Three slide styles provide maximum holding capacity. Choose from Universal Wire, Lip Load, or Fixed Wire.
- **Reliability:** Reliability and durability are designed into every C5. High-quality components provide a long life of worry free use.
- **Power Options:** Choose between standard high wattage or low wattage models based on the specific needs of the application.



Red Full Height Dutch Clear Doors



Blue ½ Height Full Solid Door



Gray ¾ Height Full Clear Door



Red Full Height Dutch Solid Doors



Blue Full Height Full Clear Door



3 Series Removable Control Modules

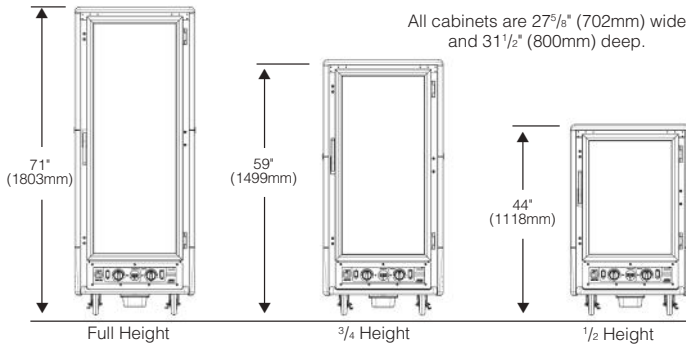
- **Holding Module:** Hot holding at higher temperatures without moisture control.
- **Moisture Module:** Hot holding and proofing. Moisture control at any temperature.
- **Combination Module:** Hot holding and proofing. Moisture control at lower temperatures (proofing).



TIM CAMPBELL™ C5 3 Series Insulation Armour™ Heated Holding and Proofing Cabinets

800-400-7500

Specifications



- Cabinet Material:** .063" (1.8mm) aluminum, natural interior with .125" (3.2mm) aluminum chassis.
- Insulation Armour™:** High Density Polyethylene (HDPE).
- Casters:** Four casters with 5" (127mm) donut neoprene wheel, double ball bearing swivel, ball bearing axel, nickel plated, two with brake.
- Solid Doors:** Fully insulated with 1" (25.4mm) fiberglass, double panel .063" (1.8mm) aluminum, brushed exterior, natural interior.
- Clear Doors:** Extruded aluminum powder coated frame with .090" (2.3mm) polycarbonate window.
- Hinges:** Field reversible, double hinged, 180° swing, with long-life nylon bearings.
- Gaskets:** High temperature, door mounted, Santoprene gaskets.
- Latches:** Polymer high-strength magnetic pull latch with lever-action release.
- Hand Holds:** Molded into the Insulation Armour™ on all four corners.
- Universal Slides:** 1/4" (6.4mm) dia. nickel-chrome electroplated wire, adjustable on 1 1/2" (38mm) increments.
- Lip Load Slides:** 1 1/2" x 1/2" x .063" (38x38x1.8mm) extruded aluminum channel slides, 1 1/2" (38mm) fixed spacing.
- Fixed Wire Slides:** 1/4" (6.4mm) dia. nickel-chrome electroplated wire, welded on 3" (76mm) spacing.
- Drip Trough:** Smooth polymer drip trough with catch pan.
- Holding Modules:** Removable without tools, digital thermometer, recessed control dials, master on/off switch, "Power On" light, water pan, ball bearing blower forced air system, 7 1/2' cord, UL, CUL, and NSF Listed.

Electrical and Performance:

- Holding Module:** 2000 Watt, 120 Volts, 60 Hz., single phase, 16.7 Amps. 80°F to 200°F operating temperature range. NEMA 5-20P plug.
- Moisture Module:** 2000 Watt, 120 Volts, 60 Hz., single phase, 16.7 Amps. 80°F to 200°F operating temperature range. 35% RH at 160°F, 95% RH at 95°F. NEMA 5-20P plug.
- Proofing Module:** 1440 Watt, 120 Volts, 60 Hz., single phase, 12 Amps. 80°F to 120°F operating temperature range. 95% RH at 95°F. NEMA 5-15P plug.
- Combination Module:** 2000 Watt, 120 Volts, 60 Hz., single phase, 16.7 Amps. 80°F to 200°F operating temperature range. 95% RH at 95°F. NEMA 5-20P plug.
- Clearance Requirements:** 18" (46cm) away from any cooking equipment. AVOID contact with surfaces that exceed 200°F (90°C). Minimum clearance from enclosures is 1 1/2" (38mm) on sides, back and top.
- Slide Capacities:**

| Cabinet Size | Universal Wire Pan Capacity** | | | | Lip Load Pan Capacity | | Fixed Wire Pan Capacity | |
|-------------------|-------------------------------|-------------------|---------|---------------------|-----------------------|---------|-------------------------|--|
| | Slide Pairs Provided | Slide Pairs Max.* | 18"x26" | 12"x20"x2.5" GN 1/1 | 18"x26" | 18"x26" | 12"x20"x2.5" GN 1/1 | |
| Full Height | 18 | 37 | 18 | 34 | 35 | 18 | 34 | |
| Full Height Dutch | 18 | 35 | 17 | 32 | 34 | 17 | 32 | |
| 3/4 Height | 14 | 29 | 14 | 26 | 27 | 14 | 26 | |
| 1/2 Height | 8 | 17 | 8 | 16 | 17 | 8 | 16 | |

*Maximum number of slide pairs @ 1 1/2" spacing. Additional slide pairs ordered separately.

**Capacity based on standard number of slide pairs provided.

Cabinet Height
9 = Full Height
7 = 3/4 Height
5 = 1/2 Height

Module Type
C = Combination
M = Moisture
H = Heated Holding

Slide Type
U = Universal Wire
4 = Fixed Wire
L = Lip Load Aluminum

C539 - CDC - U



For Standard Wattage Cabinets
(120V, 16A, 60Hz, 2000W)

Door Style
FS = Full Length Solid
FC = Full Length Clear

DS = Dutch Solid *
DC = Dutch Clear *

*Please note: Dutch doors only available on full-height models.
Cabinets ordered without a color designation default to Red.

Low Watt Model Number Description

C539 - CLDC - U



Add "L" for Lower Wattage Combination or Holding Module Cabinets
(120V, 12A, 60Hz, 1440W)

Export Model Number Description

C539 - CXDC - U



Add "X" for Export Cabinets
(220-240V, 7.6-8.3A, 50/60Hz, 1681-2000W)

Blue or Gray Model Description

C539 - CDC - U - BU

**Cabinets ordered without a color designation default to Red.

Color **
No Suffix = Red
BU = Blue
GY = Gray

Models with Accessories or Options

C539 - CDC - UA
C539 - CDC - U - BUA

An "A" suffix indicates that accessories need to be factory assembled to the cabinet. Order accessories separately.

Options/Accessories*

- Small Item Shelf (C5-SHELF-S)
- Stainless Steel Legs (C5-SSLEGS)
- Universal Slide Pair, Chrome (C5-USLIDEPR-C)
- 6" Casters (C5-6CASTER)
- Rear Rigid Casters (C5-5RDGCSTR)
- Travel Latch (C5-TRVL)
- Flush Door Latch (C5-LATCHFLUSH-1)*
- Straight Plug, 20 Amp, 120V (C5-STRPLG-20)
- Straight Plug, 15 Amp, 120V (C5-STRPLG-15)
- Factory Left-Hand Hinging (DD3768)
- Stainless Steel Universal Slides (please call)

*Please note: (2) handles required for dutch door models

Metro Heated cabinets are for hot food holding applications only.