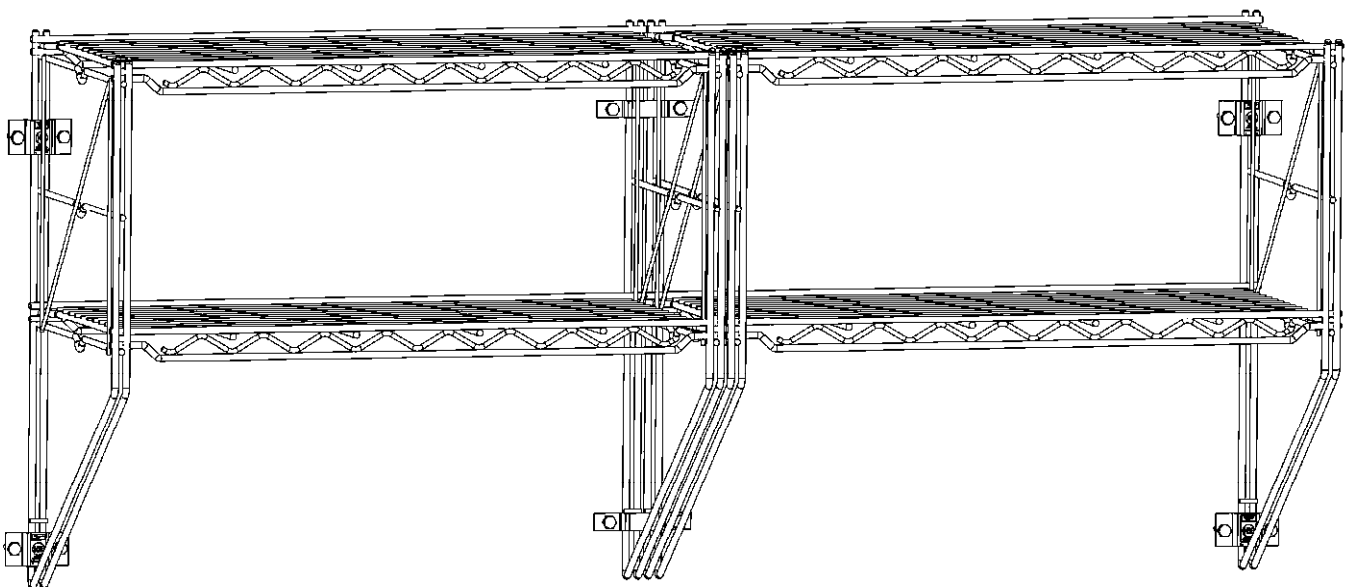


SINGLE SECTION UNIT



MULTI SECTION UNIT



1

2

3

4

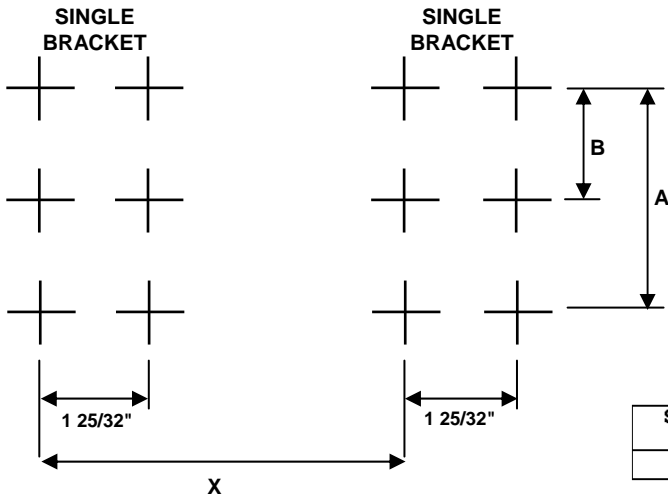
5

6

THIS COMPLETES THE ASSEMBLY OF SINGLE SECTION UNIT



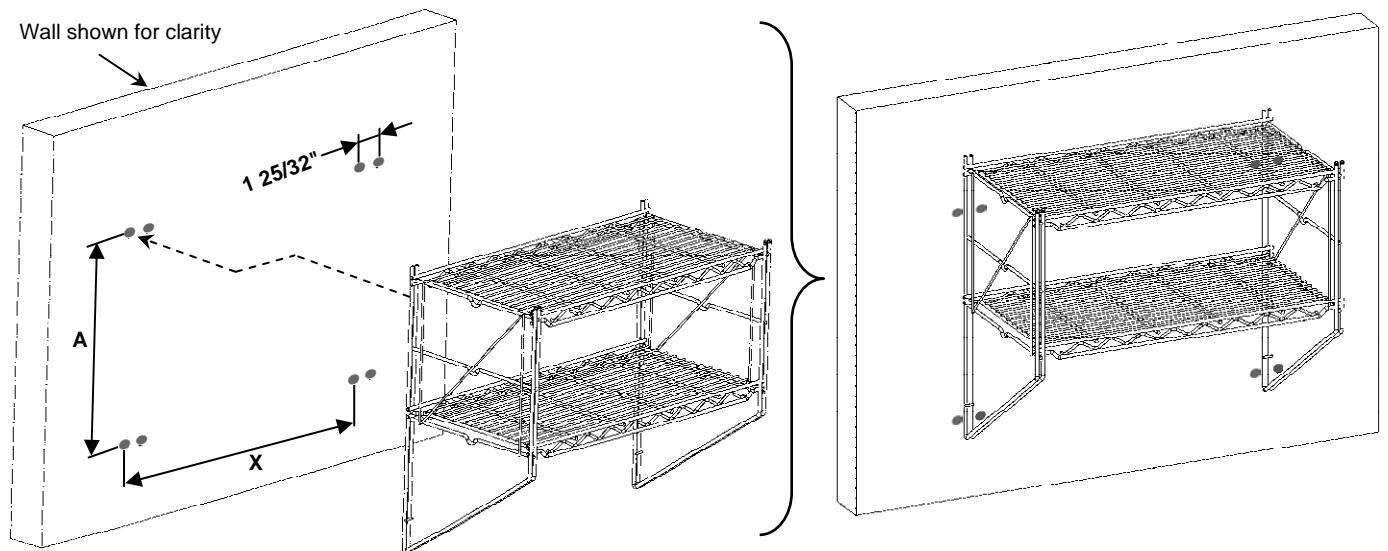
7 Mounting Hole Location Diagram



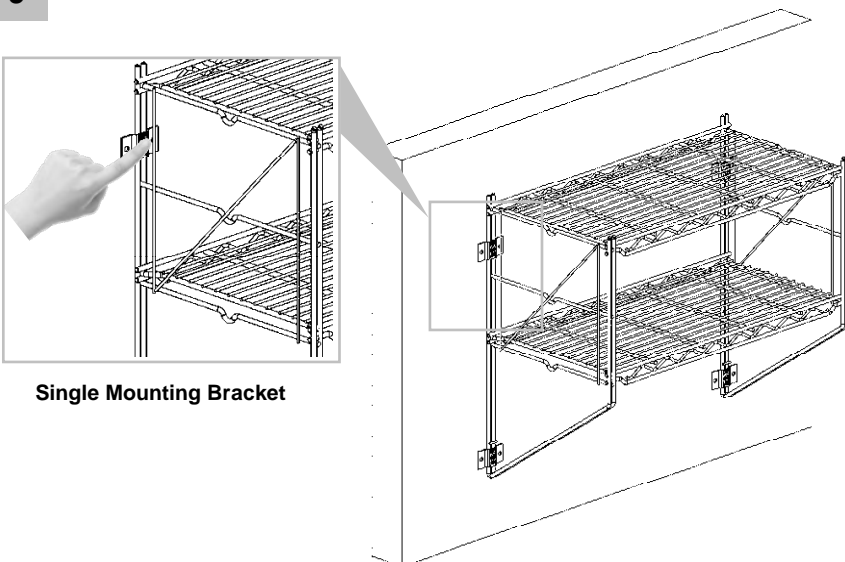
Number of Tiers	A	B
1	6 ⁵ / ₈	-
3	15 ¹³ / ₁₆	-
5	25 ³ / ₈	11 ¹ / ₄

Shelf Size	24	30	36	42	48	60
X	22 ²⁹ / ₃₂	28 ²⁹ / ₃₂	34 ²⁹ / ₃₂	40 ²⁹ / ₃₂	46 ²⁹ / ₃₂	58 ²⁹ / ₃₂

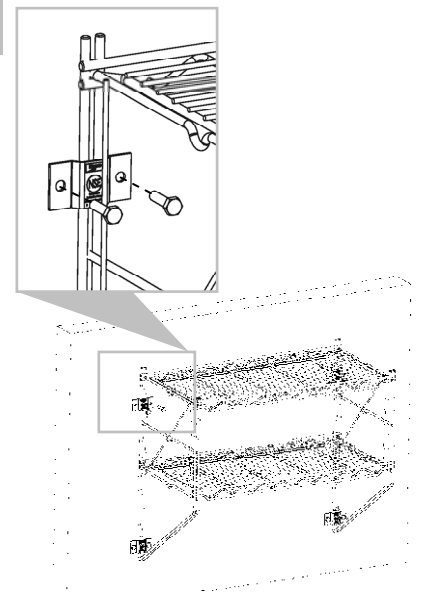
8 Mark the Mounting Holes and Position the Shelf



9

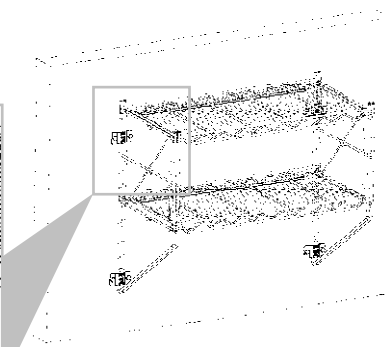
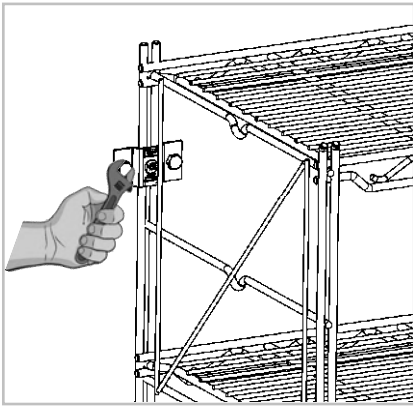


10

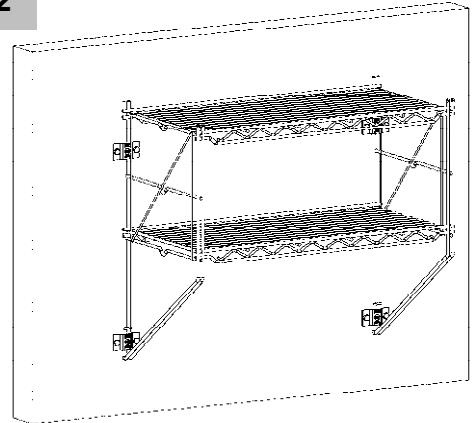




11



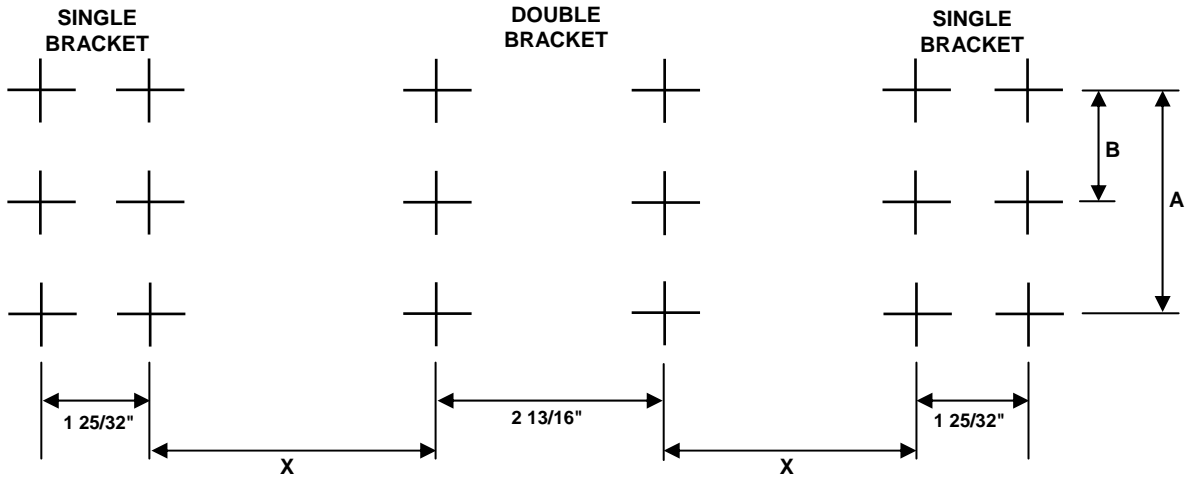
12



THIS COMPLETES THE MOUNTING OF SINGLE SECTION UNIT



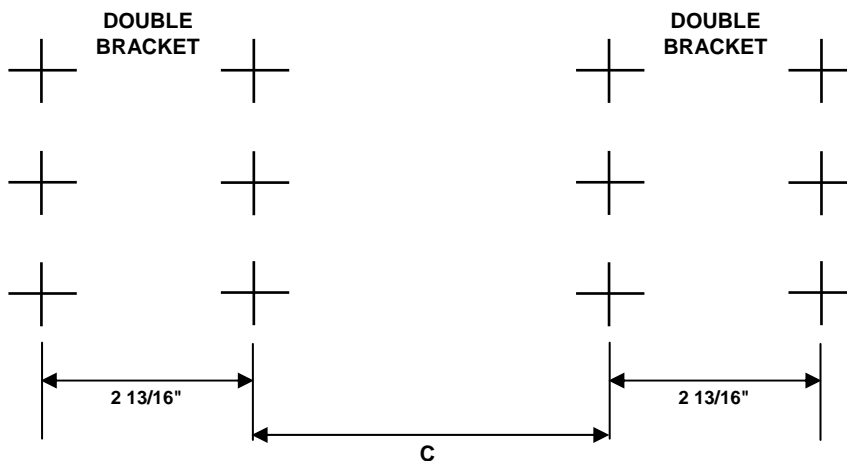
1 Mounting Hole Location Diagram



Number of Tiers	A	B
1	6 5/8	-
3	15 13/16	-
5	25 3/8	11 1/4

Shelf Size	24	30	36	42	48	60
X	21 1/32	27 1/32	33 1/32	39 1/32	45 1/32	57 1/32

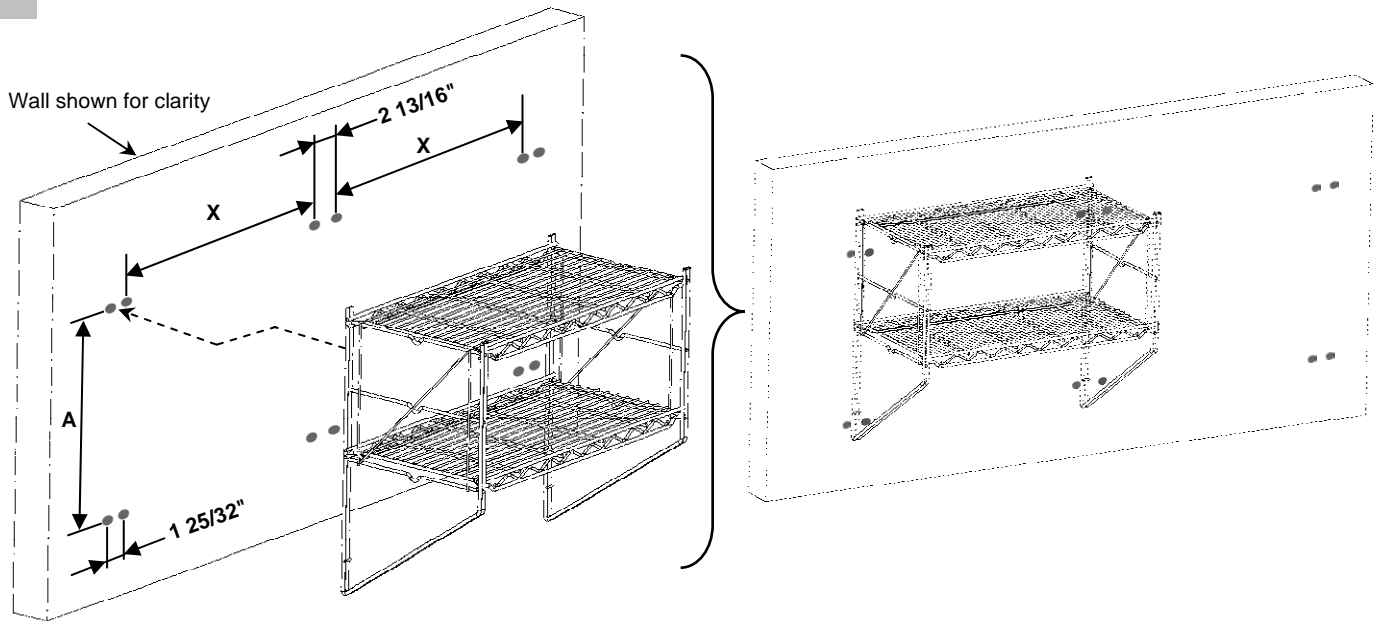
1-1 Additional Shelves Mounting Hole Location Diagram



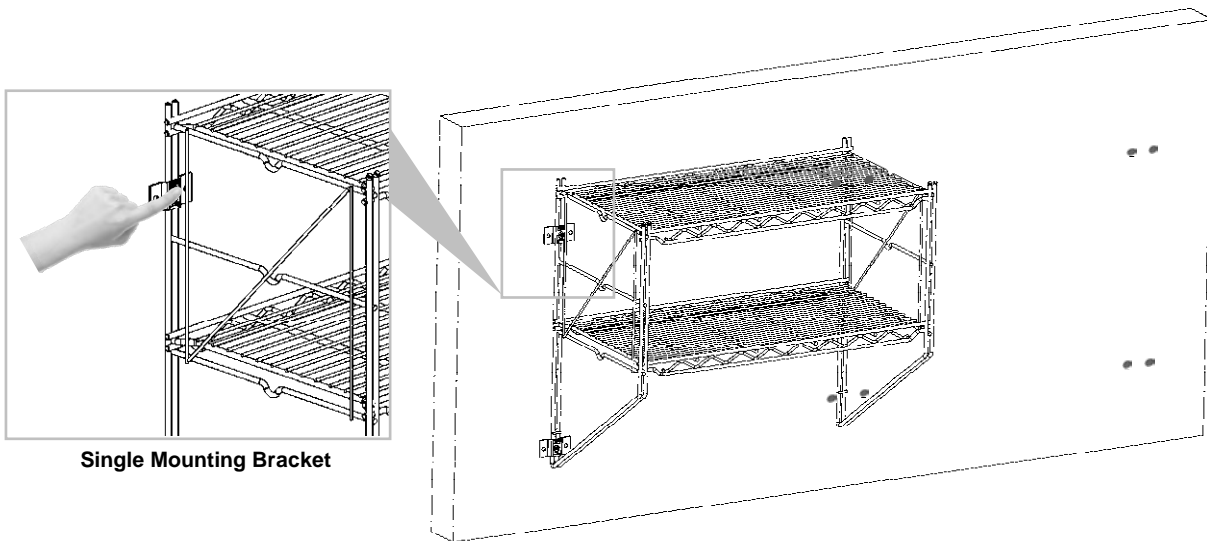
Shelf Size	24	30	36	42	48	60
C	20 15/16	26 15/16	32 15/16	38 15/16	44 15/16	56 15/16



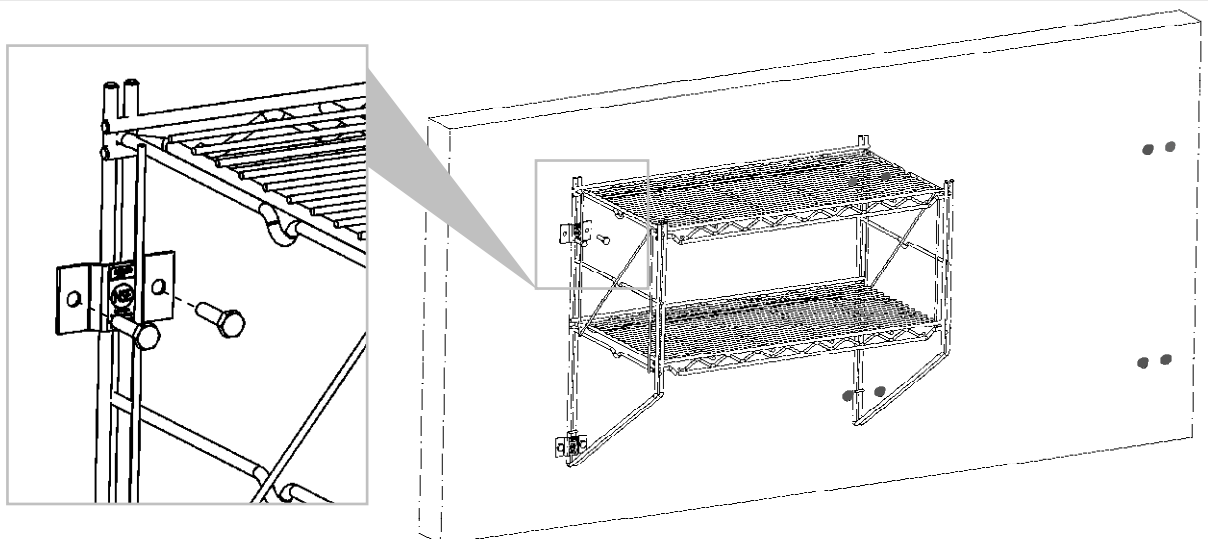
2 Mark Mounting Holes and Position the Shelf



3

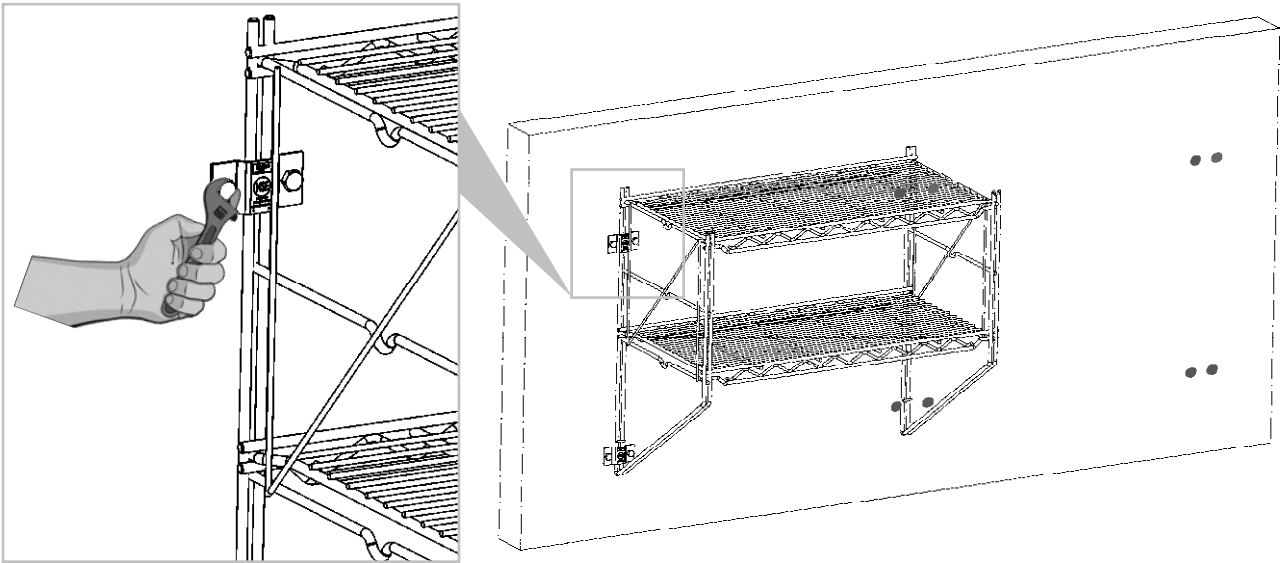


4



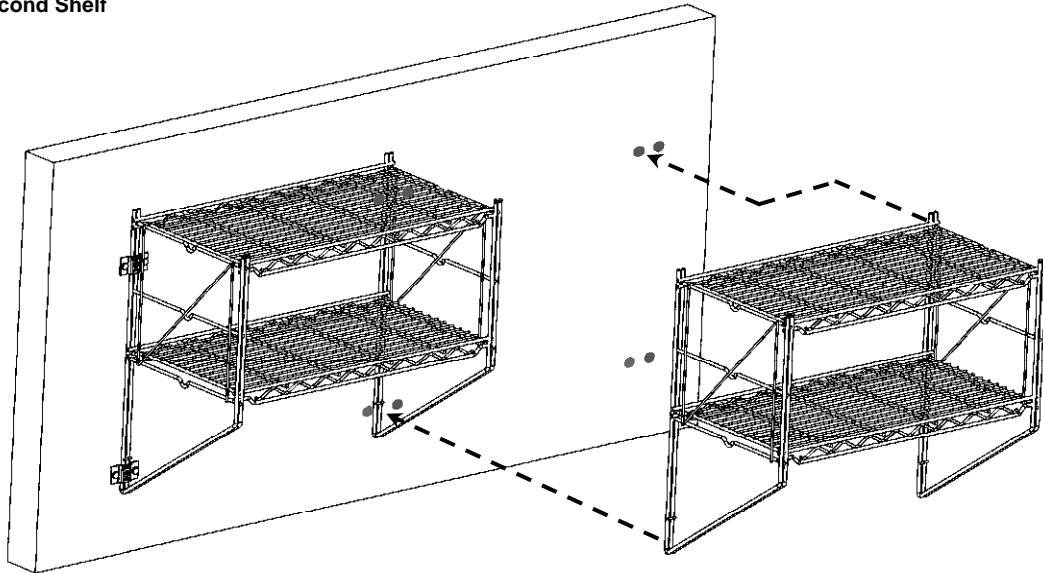


5



6

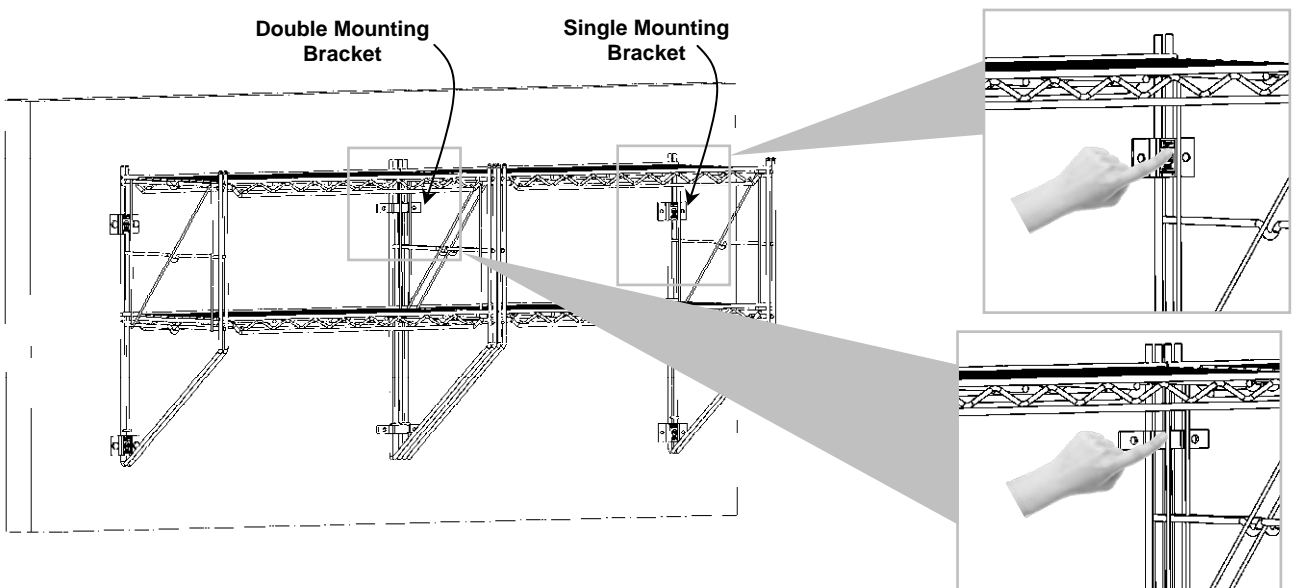
Position the Second Shelf



7

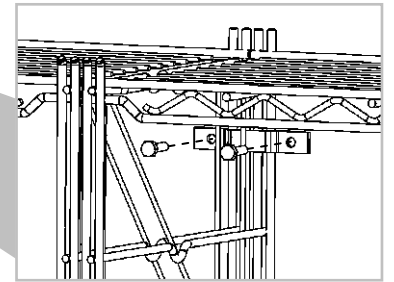
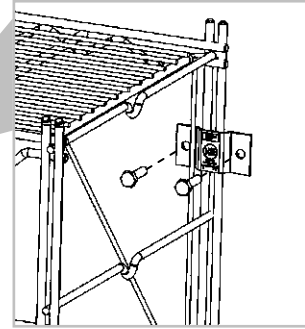
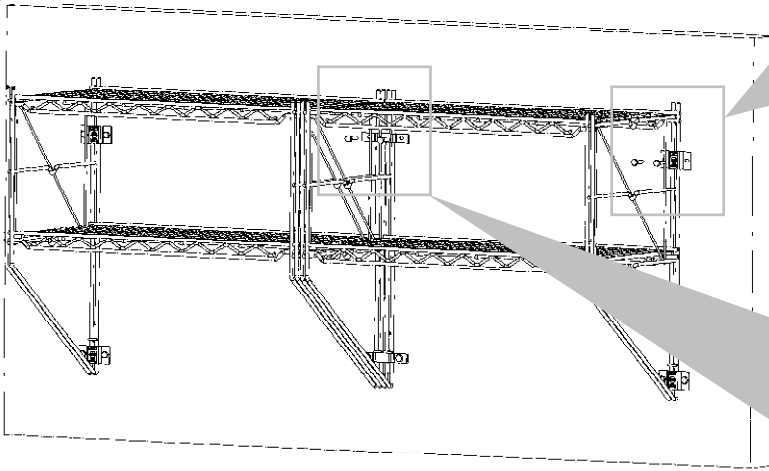
Double Mounting Bracket

Single Mounting Bracket

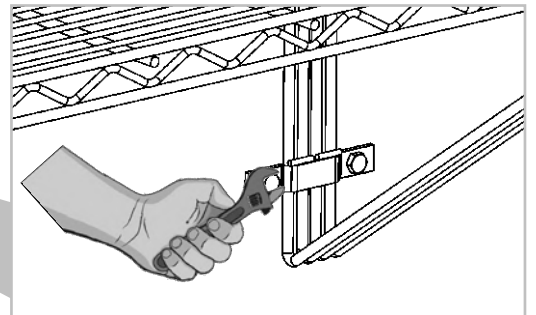
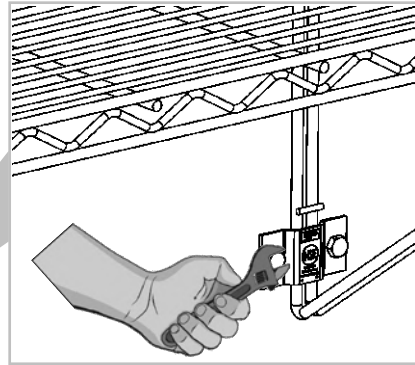
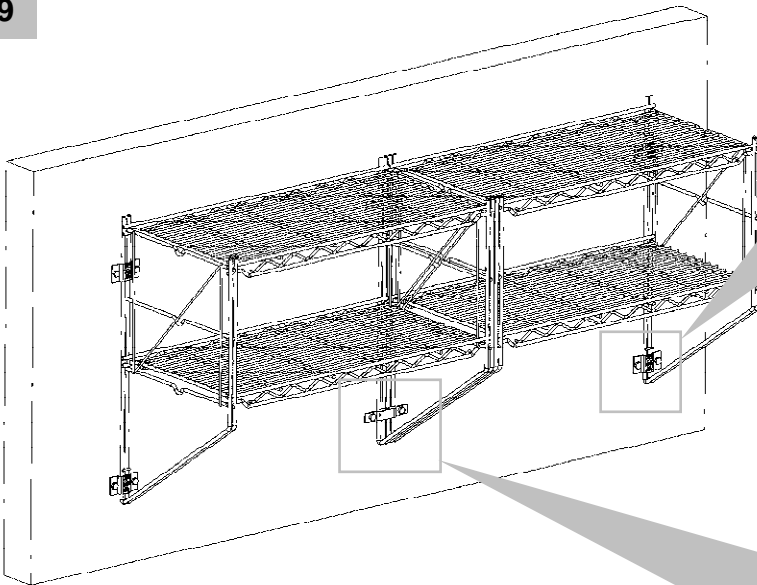




8

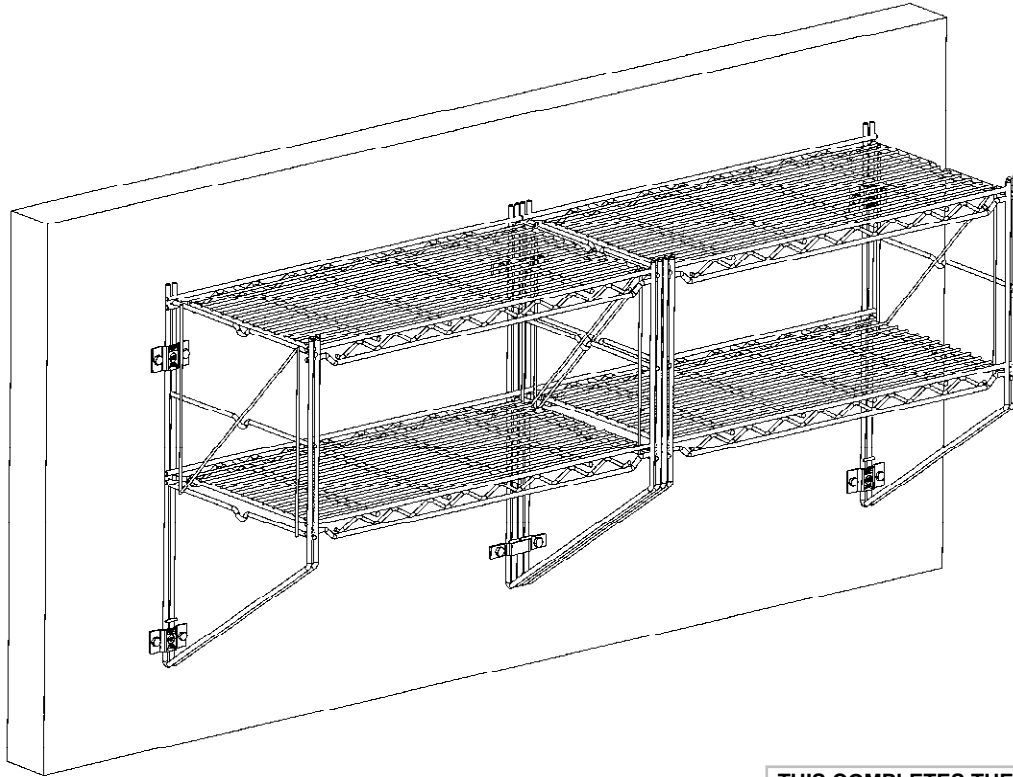


9





10



**THIS COMPLETES THE MOUNTING OF
MULTI SECTION UNIT**