



Item # \_\_\_\_\_

Job \_\_\_\_\_

## STARSYS™ CATHETER STORAGE SYSTEM

Designed for environments where aesthetics are important and cleanliness is essential, Starsys™ is a highly organized system that meets the demands for storage, transport and productivity centers. This modular system provides solutions that can be easily reconfigured to meet the rapid and constant change in today's healthcare environment. Catheter storage is a prime example of how Starsys can be configured to meet a specific application.



### Starsys Catheter Storage System

The Starsys catheter storage module is a high-density storage solution, which provides quick access and retrieval, visual inventory and easy identification.

- **Accessible** — Each slide on the catheter module offers full extension, which brings the catheters into full view allowing quick access and visual inventory of remaining stock.
- **High Density** — Each module can accommodate up to 5 slides. The maximum capacity for a slide is 120 catheters. Maximum capacity for a module is 360 catheters. The standard configuration is one shelf, 3 slides, 30 labels and 15 hooks (180 catheters).
- **Adjustable** — The catheter module is removable without tools and can be adjusted vertically on 1½" (38mm) increments.
- **Flexible Configurations** — The catheter module may be positioned in the top of a cabinet for maximum storage length. You may put multiple catheter modules in a single bay for the storage of shorter catheters, or you may combine with drawers. A cabinet can be designed with a configuration to fit your needs without extending the lead-time.
- **Versatile** — The catheter module may also be used as a general storage level when storage is required above catheters.





# STARSYS™ CATHETER STORAGE SYSTEM



## Starsys Catheter Storage

**SXCATH\*** — The SXCATH catheter module is an accessory for a stationary or mobile Starsys unit configured with corrugated polymer inner panels.

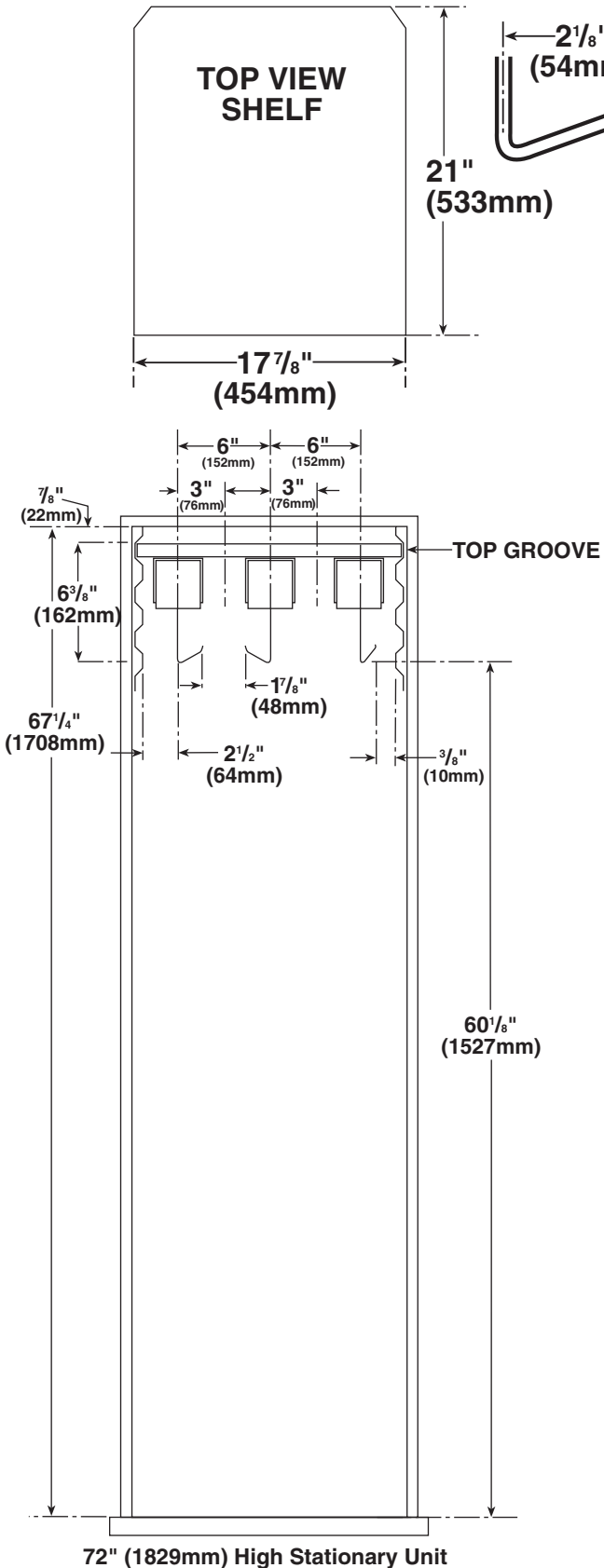
- Consists of 1 shelf, 3 slides, 30 labels and 15 hooks
- Shelf is predrilled to accommodate up to 5 slides
- Shelf locks into place so it does not pull out as slide is extended
- Removable without tools
- Adjustable vertically on 1 1/2" (38mm) increments
- Dual role:
  - Storage of hanging catheters below
  - Also serves as a shelf for supplies
- Shelf is epoxy-coated steel
- Weight capacity: 75 lbs. (34 kg.)  
(Includes weight of slides, catheters and supplies)
- Dimensions: 6 3/8"H x 17 7/8"W x 21"D  
(162mm x 454mm x 533mm)
- Shipping Weight: 29 lbs. (13.2 kg)

\* Some assembly required



**SXCATHSLD** — The SXCATHSLD is a full extension catheter slide that works in conjunction with the catheter shelf assembly. Up to two additional SXCATHSLD can be added to the SXCATH.

- Consists of 1 slide, 10 labels and 5 hooks
- Installs onto SXCATH easily with the turn of a screw
- Built-in stop keeps slide from extending when closed
- Can hold up to total of 10 hooks
- Hooks can be oriented in one of three ways:  
Left, Right or Straight Forward
- Pull handle also serves as label holder
- Label Size: 2 1/2"W x 3 7/8"H (64mm x 98mm)
- Weight Capacity (per slide): 25 lbs. (11 kg)
- Slide Extension: 20" (508mm)
- Shipping Weight: 7 1/4 lbs. (3.3 kg)



**SXCATHHK** — The catheter hook can be installed on the slide without tools. The hook can be rotated on 90 degree intervals so the catheters can hang off to the left of the slide, to right of the slide or directly below the slide. Maximum storage capacity can be attained with three slides (10 hooks per slide) when the hooks alternate left to right from slot to slot.

- Consists of 1 bag of 5 hooks
- Capacity: Up to 12 catheters
- Maximum Weight Capacity (per hook): 5 lbs. (2kg)

# STARSYS™ CATHETER STORAGE SYSTEM

**SXS76MCATH1** (*mobile — not shown*)  
76<sup>1</sup>/<sub>4</sub>"H x 22<sup>3</sup>/<sub>4</sub>"L (1937mm x 578mm)

- Comes with 1 catheter shelf, 3 slides, 30 labels, 15 hooks and one left hinged locking door (270° hinge)
- Capacity: 180 catheters (up to 360 catheters with an additional 15 hooks)
- Maximum length: 60" (1524mm)

**SXS72SCATH1** (*stationary - shown*)  
72"H x 21<sup>1</sup>/<sub>2</sub>"L (1829mm x 546mm)

- Comes with 1 catheter shelf, 3 slides, 30 labels, 15 hooks and one left hinged locking door (270° hinge)
- Capacity: 180 catheters (up to 360 catheters with an additional 15 hooks)
- Maximum length: 60" (1524mm)



**SXS72SCATH1**



**SXD76MCATH1** (*mobile*)  
76<sup>1</sup>/<sub>4</sub>"H x 42<sup>1</sup>/<sub>2</sub>"L (1937mm x 1080mm)

- Comes with 2 catheter shelves, 6 slides, 30 labels, 30 hooks and two locking doors (270° hinge)
- Capacity: 360 catheters (up to 720 catheters with an additional 30 hooks)
- Maximum length: 60" (1524mm)



**SXD72SCATH1** (*stationary*)  
72"H x 42<sup>1</sup>/<sub>2</sub>"L (1829mm x 1080mm)

- Comes with 2 catheter shelves, 6 slides, 60 labels, 30 hooks and two locking doors (270° hinge)
- Capacity: 360 catheters (up to 720 catheters with an additional 30 hooks)
- Maximum length: 60" (1524mm)

# STARSYS™ CATHETER STORAGE SYSTEM



**SXD76MCATH2** (*mobile*)

76<sup>1</sup>/<sub>4</sub>"H x 42<sup>1</sup>/<sub>2</sub>"L (1937mm x 1080mm)  
 Left side comes with two 9"D (229mm), two 6"D (152mm), one 3"D (76mm) drawer, three shelves, one non-locking door (270° hinge) and a push handle  
 Right side comes with 1 catheter shelf, 3 slides, 30 labels, 15 hooks and one locking door (270° hinge)

- Capacity: 180 catheters (up to 360 catheters with an additional 15 hooks)
- Maximum length: 60" (1524mm)



**SXD76SCATH2** (*stationary*)

72"H x 42<sup>1</sup>/<sub>2</sub>"L (1829mm x 1080mm)  
 Left side comes with two 9"D (229mm), two 6"D (152mm), one 3"D (76mm) drawer, three shelves and one non-locking door (270° hinge)  
 Right side comes with 1 catheter shelf, 3 slides, 30 labels, 15 hooks and one locking door (270° hinge)

- Capacity: 180 catheters (up to 360 catheters with an additional 15 hooks)
- Maximum length: 60" (1524mm)

TIM CAMPBELL 800-400-7500

Job \_\_\_\_\_



# STARSYS™ CATHETER STORAGE SYSTEM



## The Starsys System



## A Bright New Way To Work

Manufactured by:

**ISO REGISTERED**

9 0 0 1 - 9 0 0 2