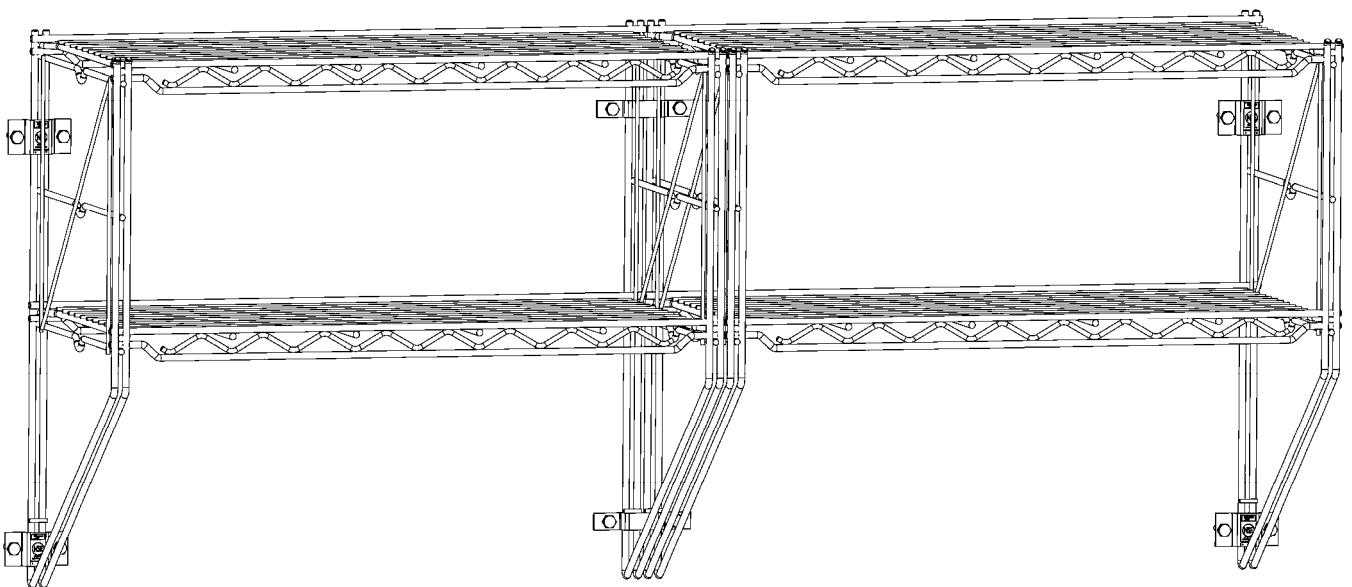


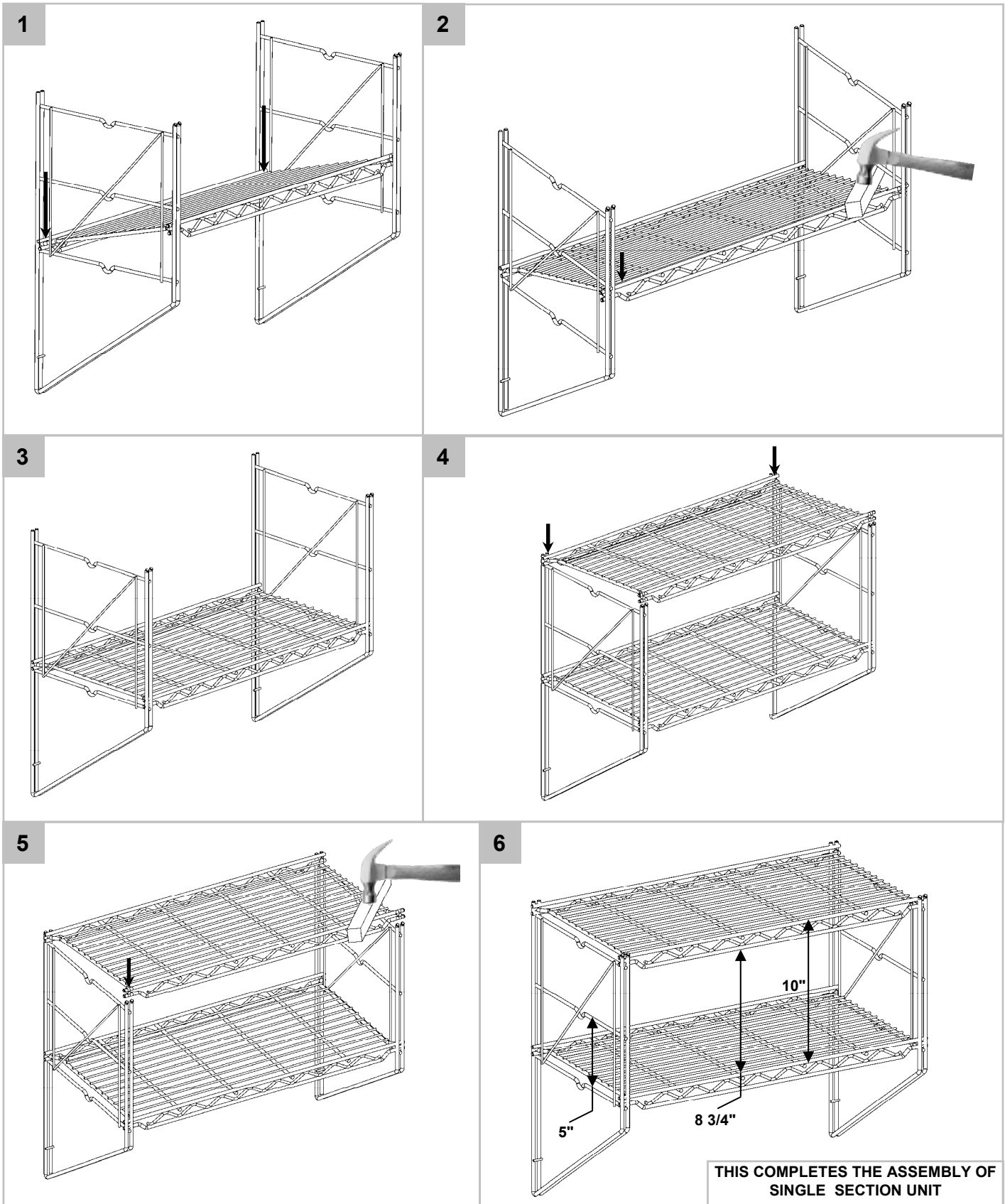
SINGLE SECTION UNIT



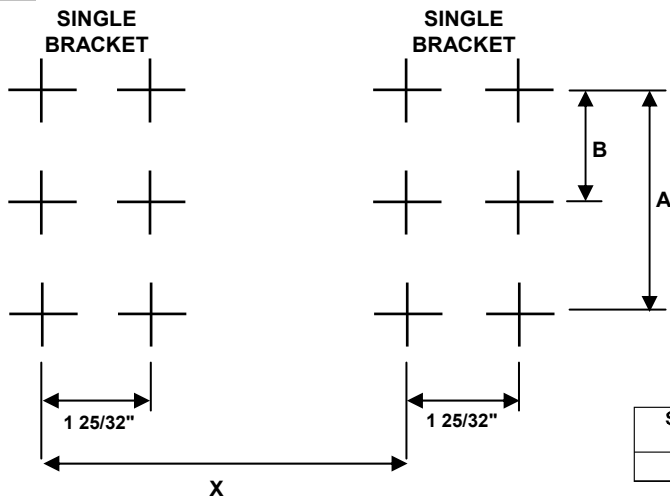
MULTI SECTION UNIT

Assembly Instructions: SINGLE SECTION UNIT

(Two People Required to Assemble and Mount a Single Section Unit)



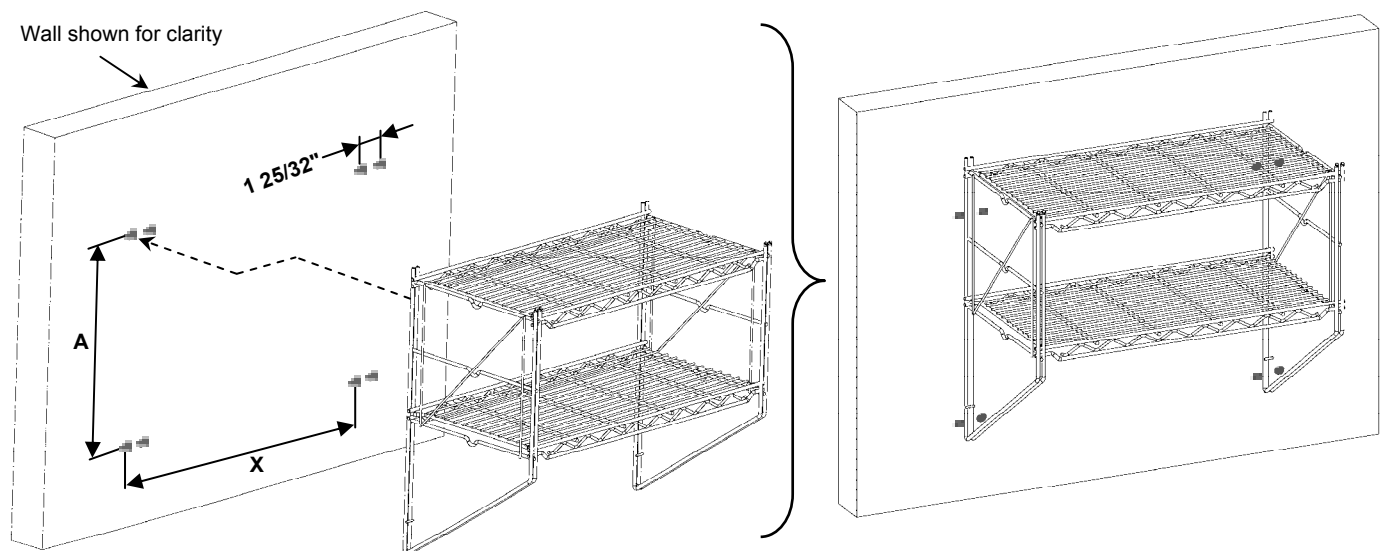
7 Mounting Hole Location Diagram



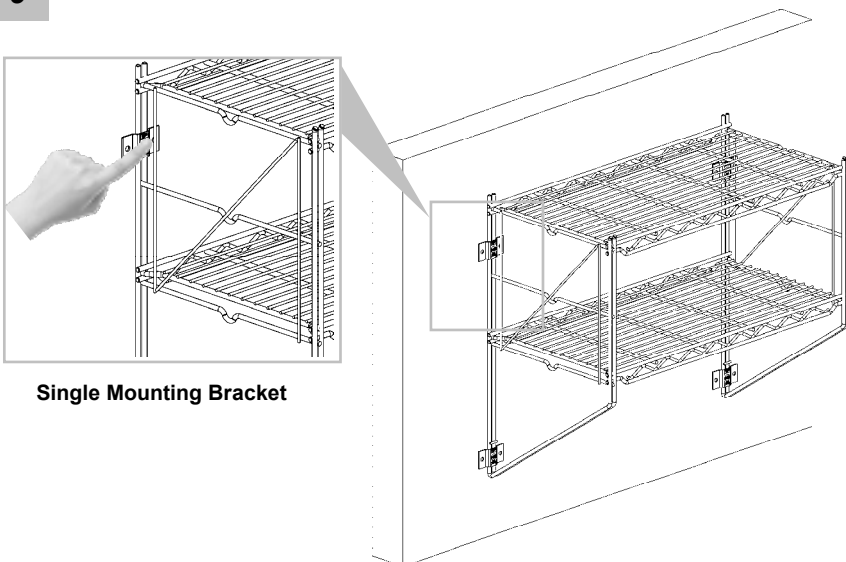
Number of Tiers	A	B
1	6 ⁵ / ₈	-
3	15 ¹³ / ₁₆	-
5	25 ³ / ₈	11 ¹ / ₄

Shelf Size	24	30	36	42	48	60
X	22 ²⁹ / ₃₂	28 ²⁹ / ₃₂	34 ²⁹ / ₃₂	40 ²⁹ / ₃₂	46 ²⁹ / ₃₂	58 ²⁹ / ₃₂

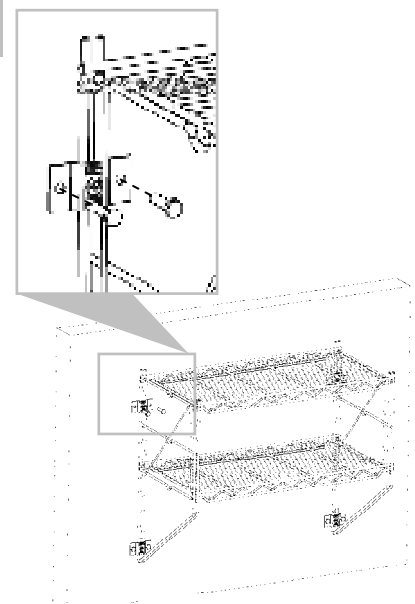
8 Mark the Mounting Holes and Position the Shelf



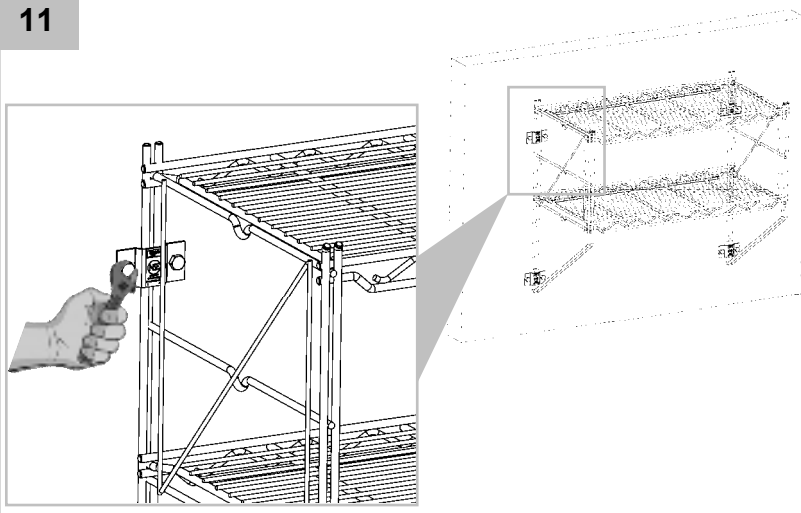
9



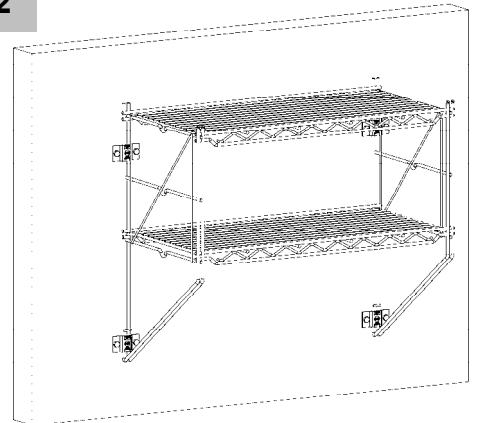
10



11



12



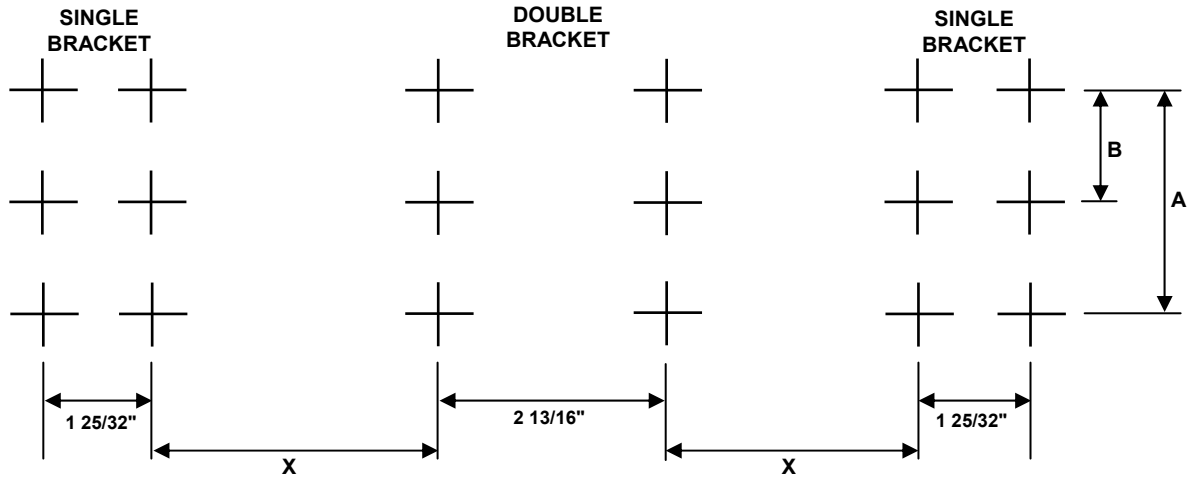
THIS COMPLETES THE MOUNTING OF SINGLE SECTION UNIT

Assembly Instructions: MULTI SECTION UNIT

(Three People Required to Assemble and Mount a Multi Section Unit)



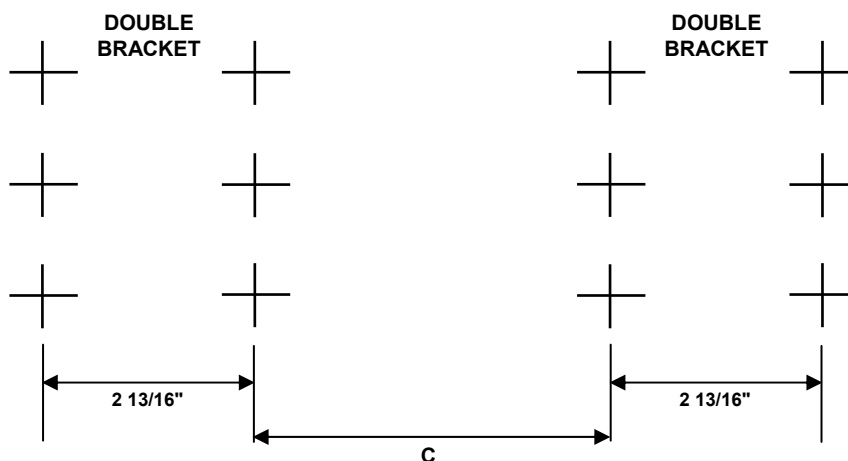
1 Mounting Hole Location Diagram



Number of Tiers	A	B
1	$6\frac{5}{8}$	-
3	$15\frac{13}{16}$	-
5	$25\frac{3}{8}$	$11\frac{1}{4}$

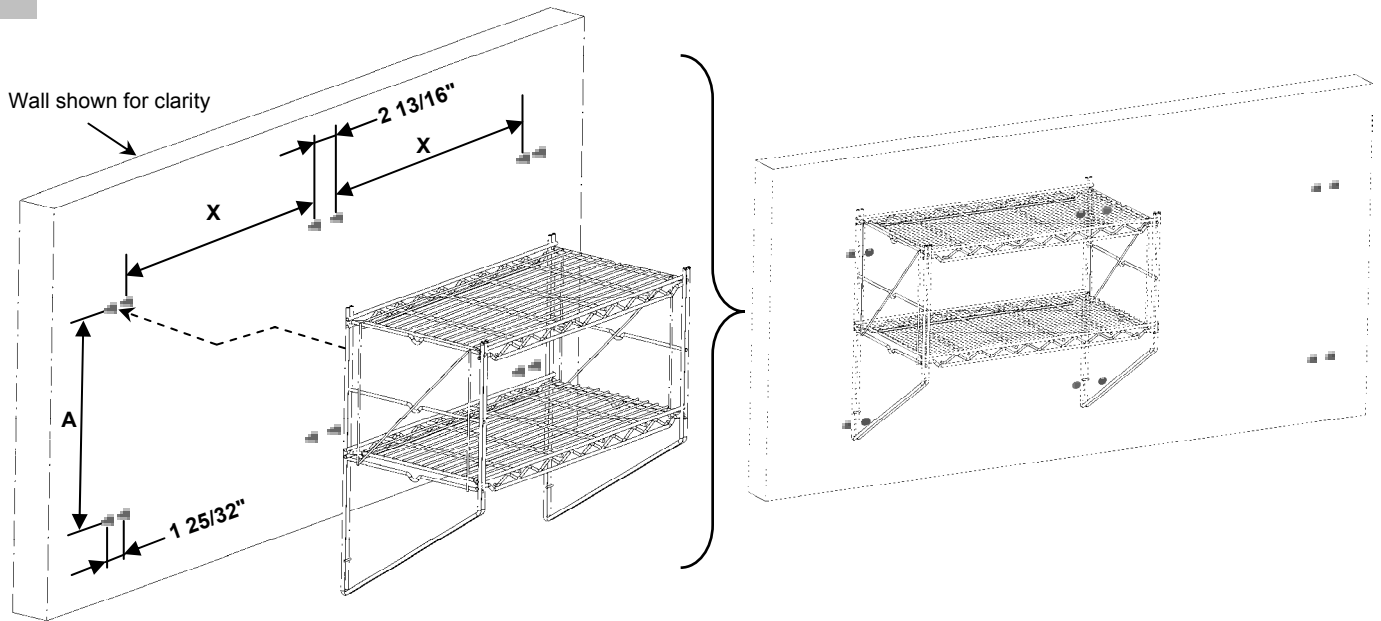
Shelf Size	24	30	36	42	48	60
X	$21\frac{1}{32}$	$27\frac{1}{32}$	$33\frac{1}{32}$	$39\frac{1}{32}$	$45\frac{1}{32}$	$57\frac{1}{32}$

1-1 Additional Shelves Mounting Hole Location Diagram

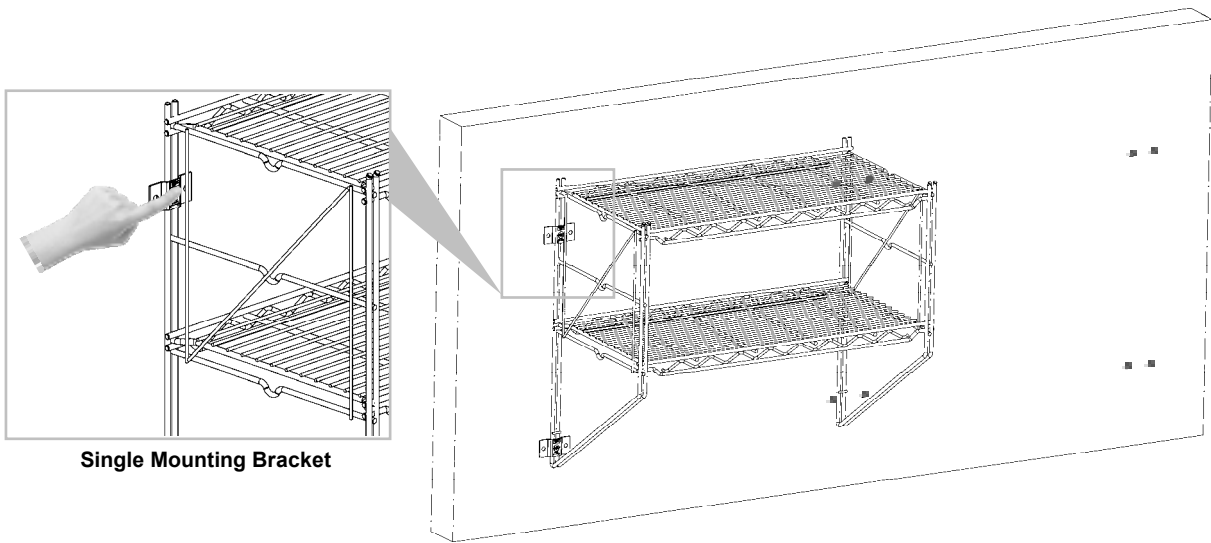


Shelf Size	24	30	36	42	48	60
C	$20\frac{15}{16}$	$26\frac{15}{16}$	$32\frac{15}{16}$	$38\frac{15}{16}$	$44\frac{15}{16}$	$56\frac{15}{16}$

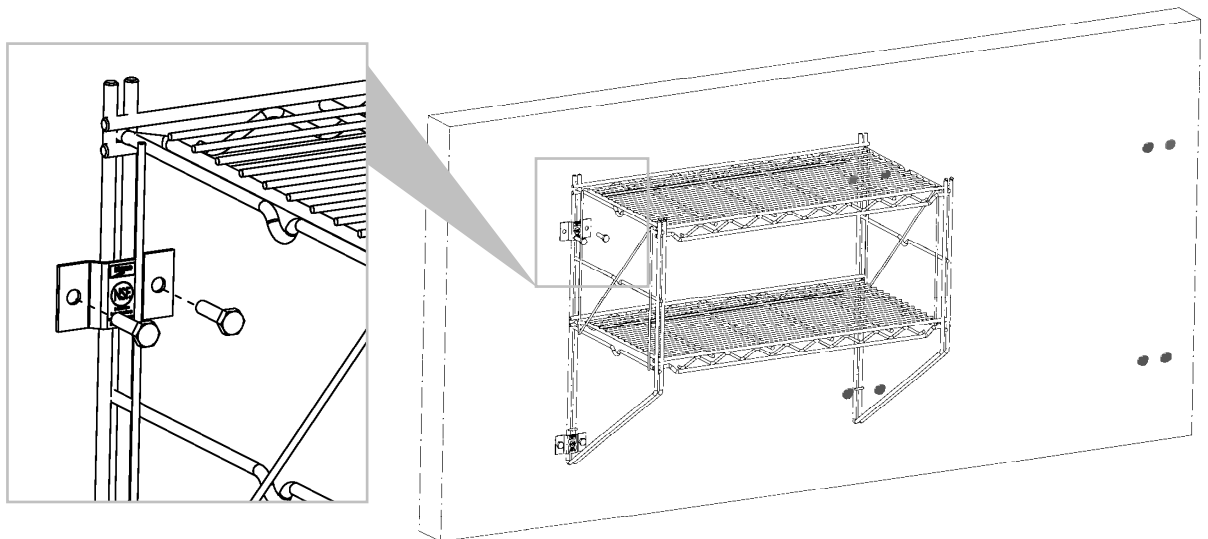
2 Mark Mounting Holes and Position the Shelf



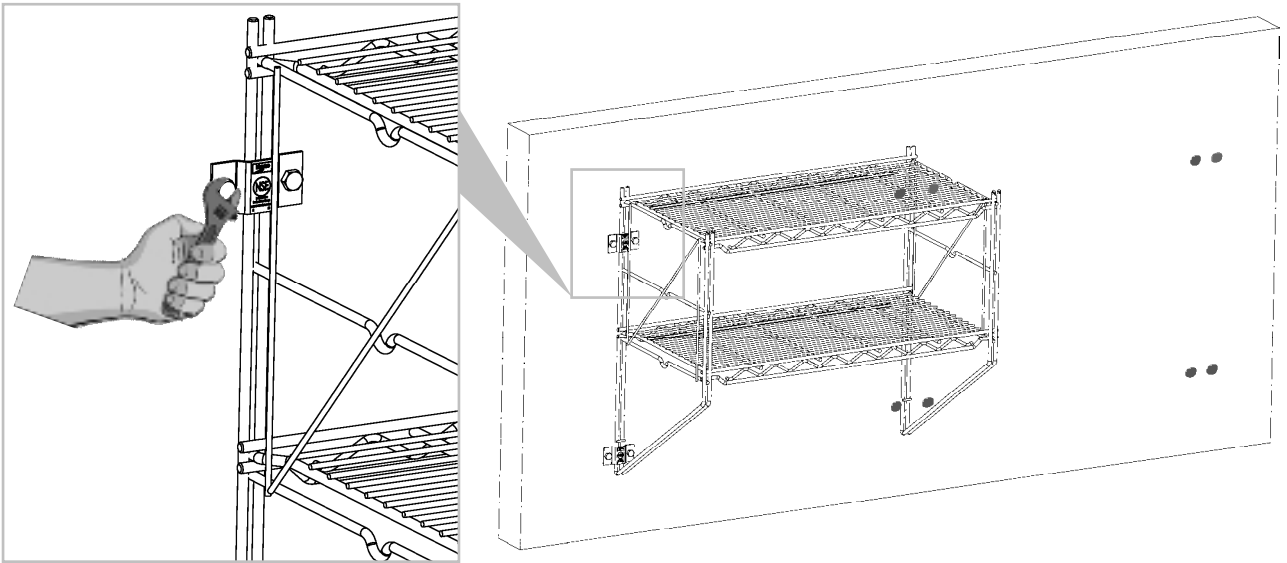
3



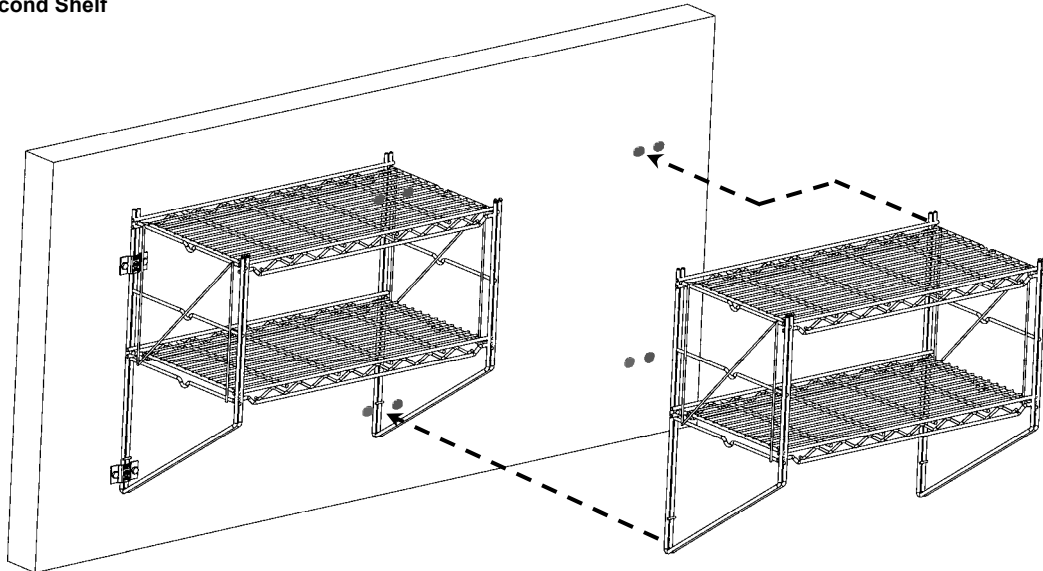
4



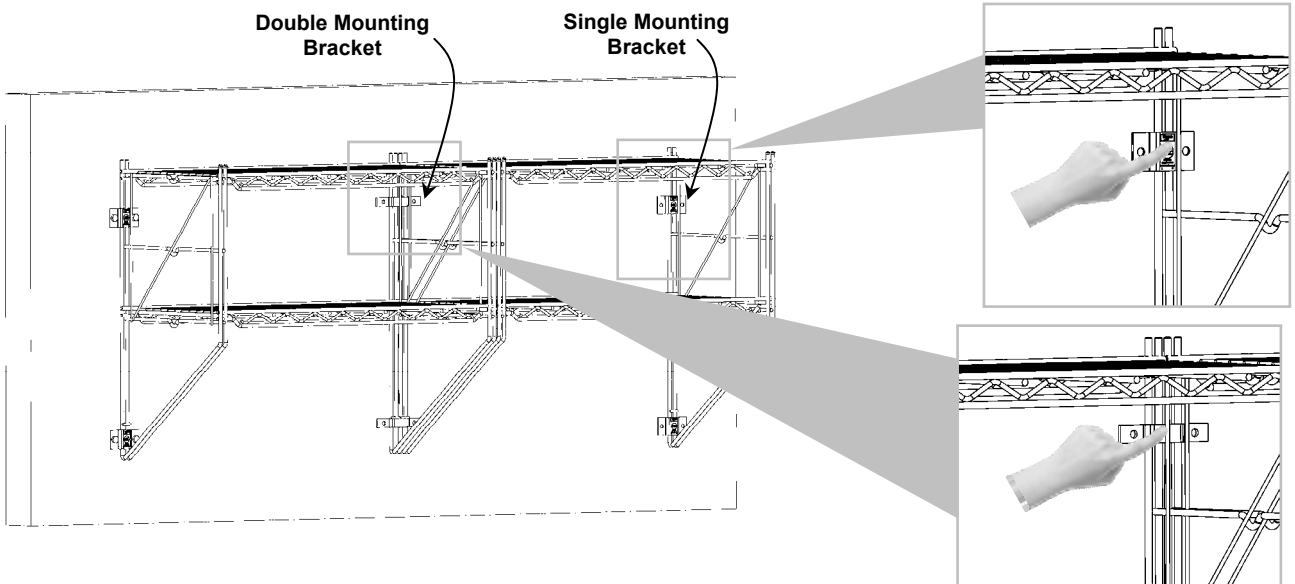
5

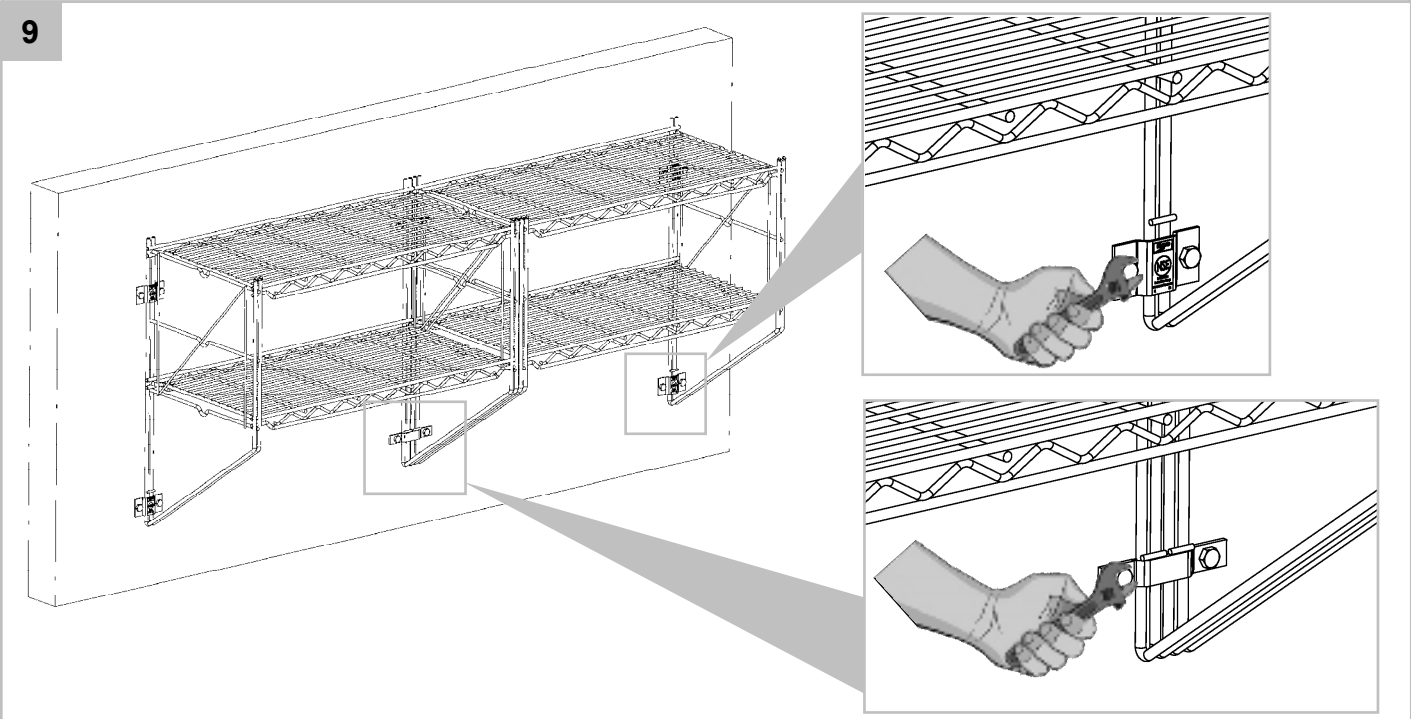
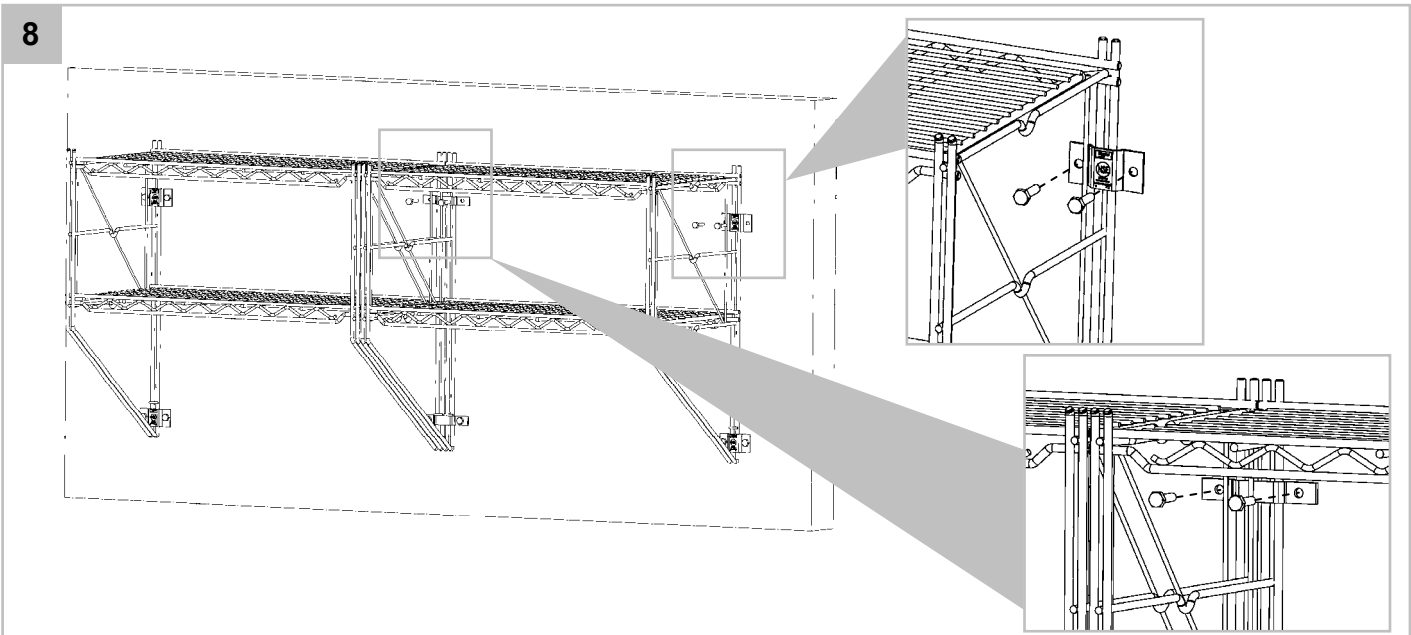


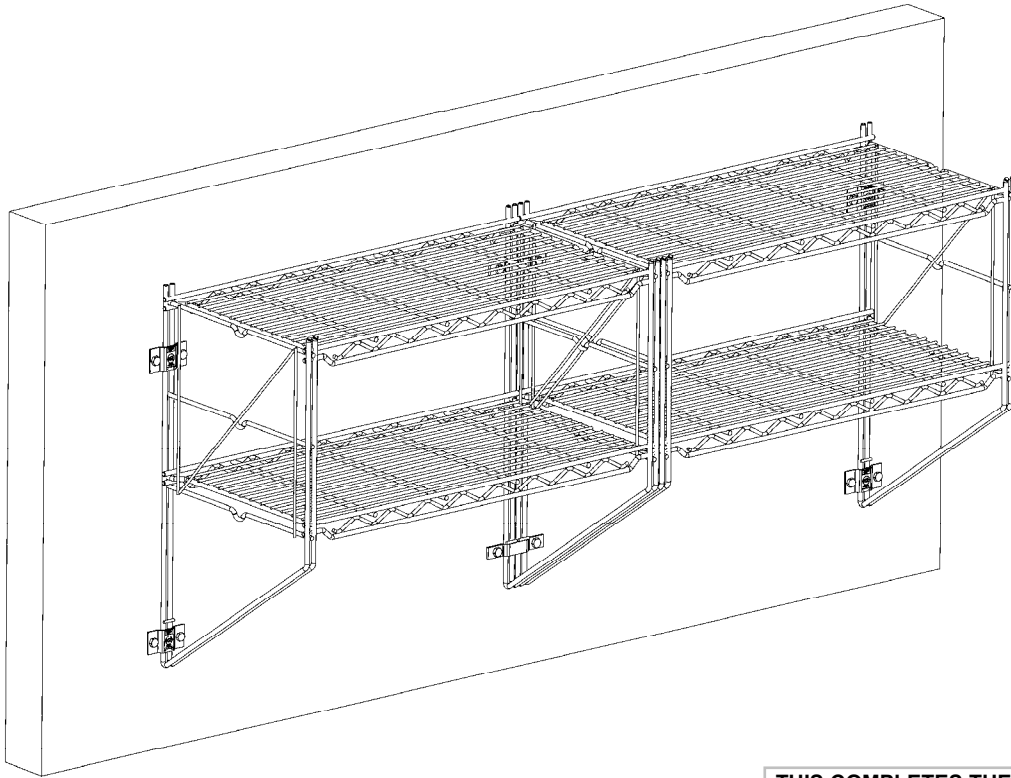
6 Position the Second Shelf



7







THIS COMPLETES THE MOUNTING OF
MULTI SECTION UNIT