



We put space to work.

TIM CAMPBELL 800-400-7500

Seismic Shelving Components for Super Erecta® and MetroMax®

Metro shelving systems configured using specially designed seismic posts, base plates, and post clamps have earned an OSHPD (Office of Statewide Health Planning and Development) Pre-approval for new construction in the state of California subject to the 2016 California Building Codes.

[\(Reference: OPM# 0426-13\)](#)

These seismic shelving components may also be used to obtain site specific approvals.

- **Shelving styles subject to this pre-approval:**
Wire Shelving: Super Erecta wire & solid, Super Adjustable Super Erecta Polymer Mat shelving: MetroMax i, MetroMax Q
 - *Stand-alone units, end-to-end configurations, and back-to-back / end-to-end configurations available. Back-to-back / end-to-end runs are ideal for creating dense storage within the center of a room.*
- **Easy to Install and Adjust:** Patent pending leveler bolt eliminates the requirement to drill posts in the field. Levelers also can be adjusted before final installation of the clevis pins to level the units more quickly than conventional seismic options.
- **Maximum use of space:** Base plate designs minimize the gap between adjacent units to create more usable storage space.
- **Base plates:** Accommodate both Super Erecta and MetroMax shelving styles.
 - *Base plate unique shapes tuck under the shelving to keep aisles open and to minimize potential trip hazards.*
 - *Low profile design is easier to keep clean.*
 - *Hole locations on the plates allow installers flexibility to work around rebar.*
 - *Four options*
 - > 1-post, 2-3 bolt triangular plate kit
 - > 1-post, 4-bolt, square plate kit for higher stories and worst seismic zones.
 - > 2-post, 5-bolt rectangular plate kit for end-to-end configurations and back-to-back configurations
 - > 4-post, 6-bolt plate, square bolt kit for back-to-back configurations.
- **Seismic Posts:** Patent pending Metro Seismic leveler is mounted to a post with a welded insert to offer up to 1" (25mm) adjustment while meeting the uplift requirements of the OSHPD Preapproval.
- **Post Clamps:** Super Erecta and MetroMax versions available to satisfy the OSHPD Preapproval requirements.
- **Strong and reliable:** Proven Metro shelving designs and proprietary seismic accessories satisfy rigorous seismic applications.



Metro Super Erecta®
Stand-alone unit

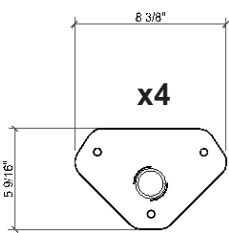
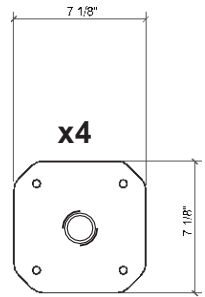
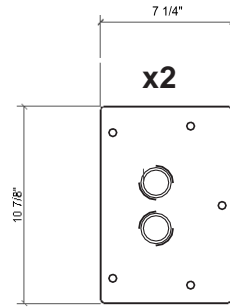
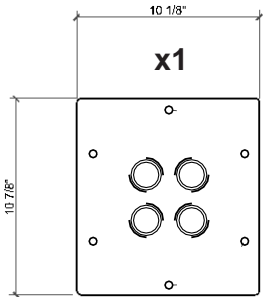


MetroMax® i
Stand-alone unit



Base Plate Kits

Description	Approx Pkg. Wt. (lbs.)	(kg)	Cat. No.
1-post, 2-3 bolt triangular plate kit	9.8	4.4	SABP13BR-4PK
1-post, 4-bolt square plate kit	12.5	5.7	SABP14BR-4PK
2-post, 5- bolt rectangular plate kit	10.8	4.9	SABP25BR-2PK
4-post, 6 bolt plate square bolt kit	8.4	3.8	SABP46BR-1PK

<p>SABP13BR-4PK 1-post, 2-3 bolt triangular plate kit includes:</p> <ul style="list-style-type: none"> (4) chromate-plated base plates, each with a single post socket (1) bag of four clevis pins and four cotter pins (4) hole covers (2) seismic labels (2) SES label holders. 	<p>SABP14BR-4PK 1-post, 4-bolt, square plate kit includes:</p> <ul style="list-style-type: none"> (4) chromate-plated base plates, each with a single post socket (1) bag of four clevis pins and four cotter pins (2) seismic labels (2) SES label holders. 	<p>SABP25BR-2PK 2-post, 5 bolt rectangular plate kit includes:</p> <ul style="list-style-type: none"> (2) chromate-plated base plates, each with two post sockets (1) bag of four clevis pins and four cotter pins (2) seismic labels (2) SES label holders. 	<p>SABP46BR-1PK 4-post, 6-bolt plate, square bolt kit includes:</p> <ul style="list-style-type: none"> (1) chromate plated base plate with 4 post sockets (1) bag of four clevis pins and four cotter pins (2) seismic labels (2) SES label holders. 
---	---	--	---

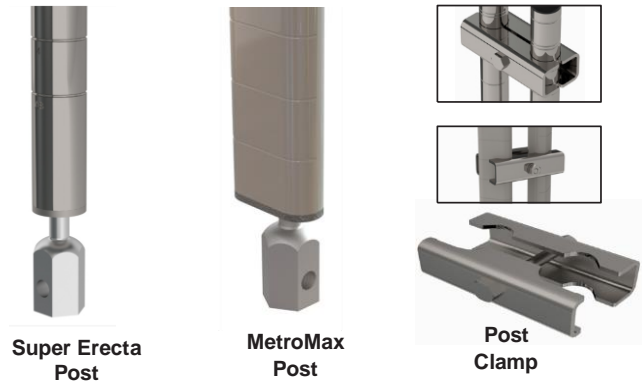
Posts and Post Clamps

Super Erecta Post: Chrome plated, 1" (25mm) diameter posts with a welded insert and seismic leveler bolt.

MetroMax Post: Steel post with a welded insert and a seismic leveler bolt. Epoxy coated finish with Microban antimicrobial product protection over a chromate substrate. Seismic bolt is chromate-plated steel.

Post Clamps: Stainless steel. There are versions for Super Erecta posts and MetroMax posts.

Seismic Leveler Bolt: Chromate-plated steel.



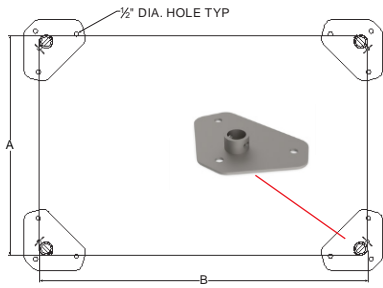
Super Erecta® and Super Adjustable Super Erecta®

Description	Nominal Height		Actual Height		Actual width		Cat. No.
	(in.)	(mm)	(in.)	(mm)	(in.)	(mm)	
63" Chrome plated, 1" (25mm) dia. welded insert, seismic leveler bolt	63	1600	63 5/8	1616	1	25	SA63P
74" Chrome plated, 1" (25mm) dia. welded insert, seismic leveler bolt	74	1880	75	1922	1	25	SA74P
Stainless Steel Post Clamp for Super Erecta Style	-	-	1 1/8	29	-	-	SAPCLAMP

MetroMax® i and MetroMax® Q

Description	Nominal Height		Actual Height		Actual width		Cat. No.
	(in.)	(mm)	(in.)	(mm)	(in.)	(mm)	
63" Steel epoxy coated post with welded insert, seismic leveler bolt	63	1600	62 5/8	1591	1.5	38	SAMQ63PE
74" Steel epoxy coated post with welded insert, seismic leveler bolt	74	1880	74 5/8	1895	1.5	38	SAMQ74PE
Stainless Steel Post Clamp for MetroMax Style	-	-	1 1/8	29	-	-	SAPCLAMPX

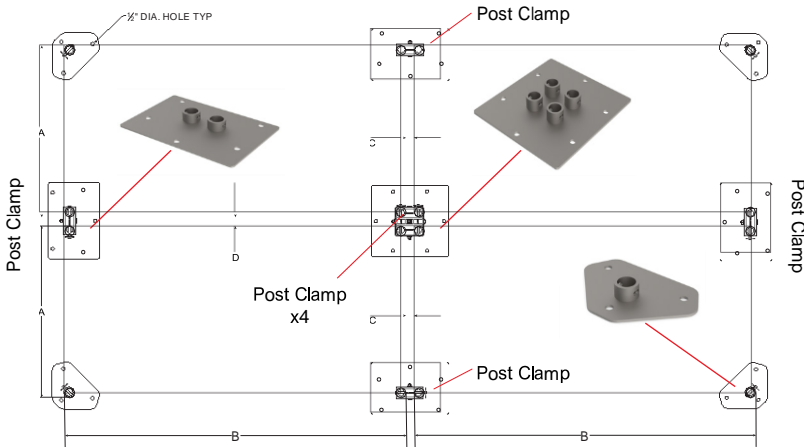
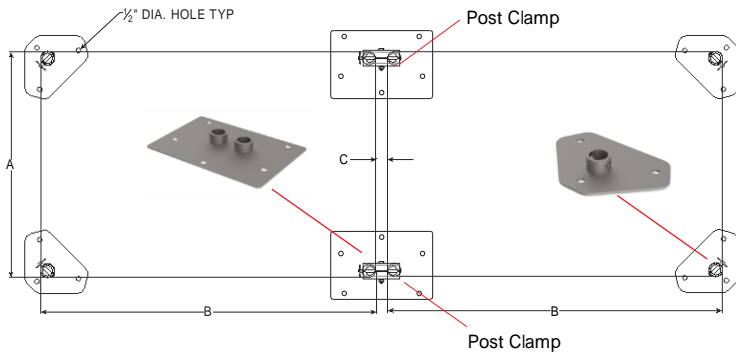
Reference these spec sheets for shelves: Super Erecta (10.01), Super Adjustable (10.01A), MetroMax i (9.20), MetroMax Q (9.21).



Post clamps are used to join adjacent shelving units.

General Rules:
For each SABP25BR-2PK kit, order TWO post clamps.

For each SABP46BR-1PK kit, order FOUR post clamps.



Super Erecta® and Super Adjustable Super Erecta® Installations.

Dimensions	Super Erecta / Super Adjustable
A	18", 21", 24" (457, 530, 620mm)
B	23-3/4" thru 71-3/4" (603 - 1822mm)
C	1-5/32" (29mm)
D	1-5/32" (29mm)

MetroMax® Q Installations.

Dimensions	MetroMax Q
A	18", 21", 24" (457, 530, 620mm)
B	23-1/2" thru 71-1/2" (597 - 1816mm)
C	1-7/32" (31mm)
D	1-1/4" (32mm)

MetroMax® I Installations.

Dimensions	MetroMax i
A	18", 24" (457, 620mm)
B	23-9/16" thru 71-9/16" (598 - 1816mm)
C	1-5/32" (29mm)
D	1-1/4" (32mm)



We put space to work.

Seismic Shelving

Components for Super Erecta® and MetroMax®

OSHPD Preapproval OPM# 0426-13 specifically outlines the configuration requirements for OSHPD governed healthcare facilities in the state of California subject to the 2013 or 2016 California Building Codes. (note: These requirements may vary in different jurisdictions.)

The OSHPD Preapproval outlines the following:

Weight Loads (for installations subject to OSHPD Preapproval)

20psf per tier for a shelving unit. The maximum load bearing of a shelving unit is defined as a five tier unit with four storage tiers and an open top shelf (no load).

Example 1: 24x48x74, 4-tier unit. Maximum load bearing per shelf is 20lbs. x 8 sq ft = 160lbs. The total unit is rated using this formula: 4 tiers x 160lbs. per tier = 640lbs.

Example 2: 24x48x74, 6-tier unit. Maximum load bearing per 24x48 unit is 640lbs. A 6-tier unit is defined to have 5 storage tiers. and an open top shelf. 640lbs. / 5 tiers = 128lbs. per tier.

Positioning of bottom shelf: maximum of 10" (254mm) from the floor.

Seismic Zones are called out within OPM# 0426-13.

Replacement Parts

- **Seismic Leveler Bolt:** designed for use with Metro seismic posts with welded inserts. **Cat. No. RPSABOLT**
- **Seismic Label: RPSALABEL**
- **Super Erecta Label Holders: 9990P**, for wire shelves.
NOTE: Seismic labels are applied directly to the shelf beams on MetroMax i shelves or the open grid mats on MetroMax Q .
- **Anchorage Bolts:** Metro does not provide the concrete floor anchorage bolts. The engineer of record for a site specific job must verify that the building structure is adequate for the applied load.

- OSHPD Preapproval Document OPM# 0426-13.
- OPM stands for OSHPD Preapproval of Manufacturer's Certificate.
- Calculations: Please contact your Metro representative